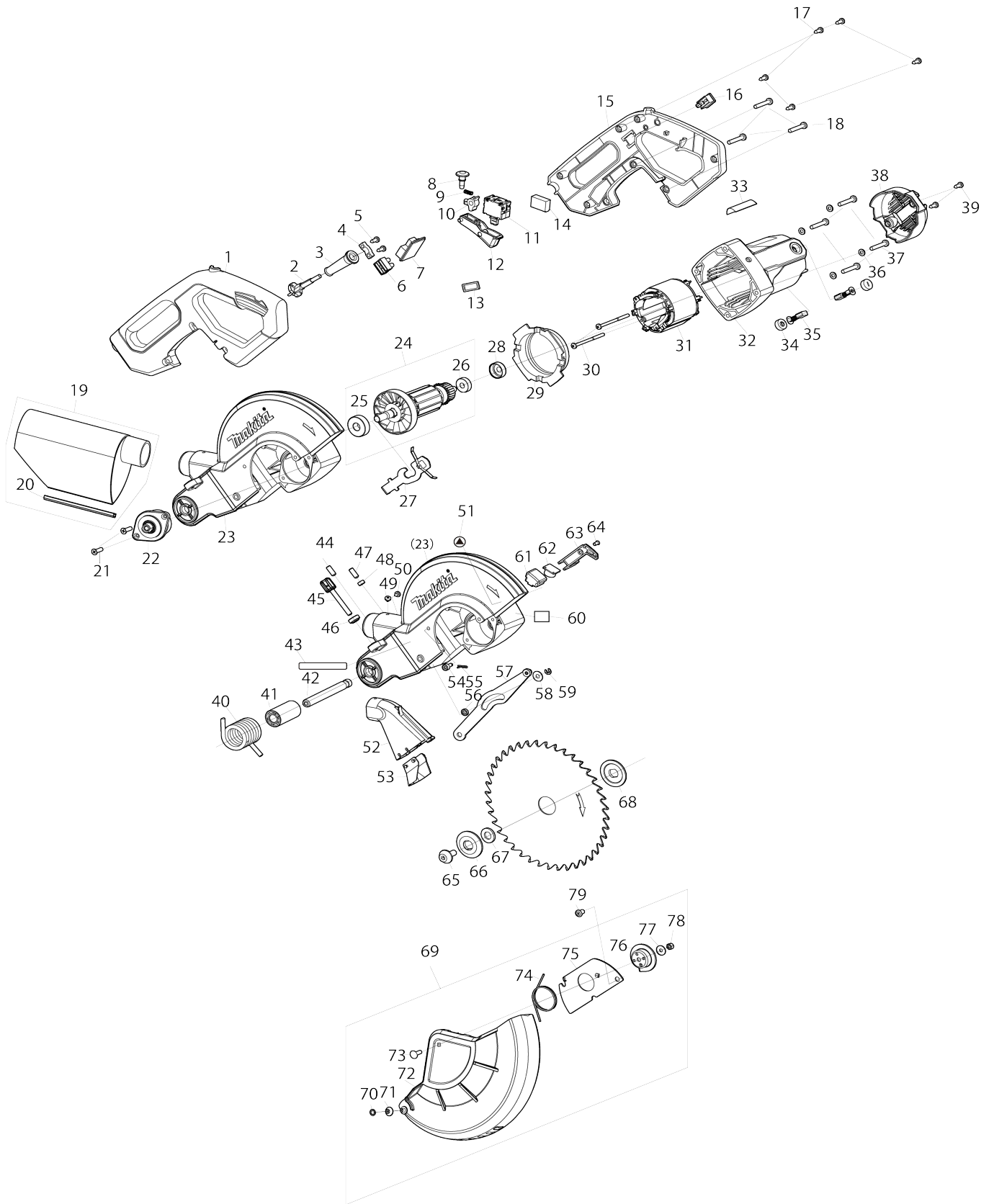
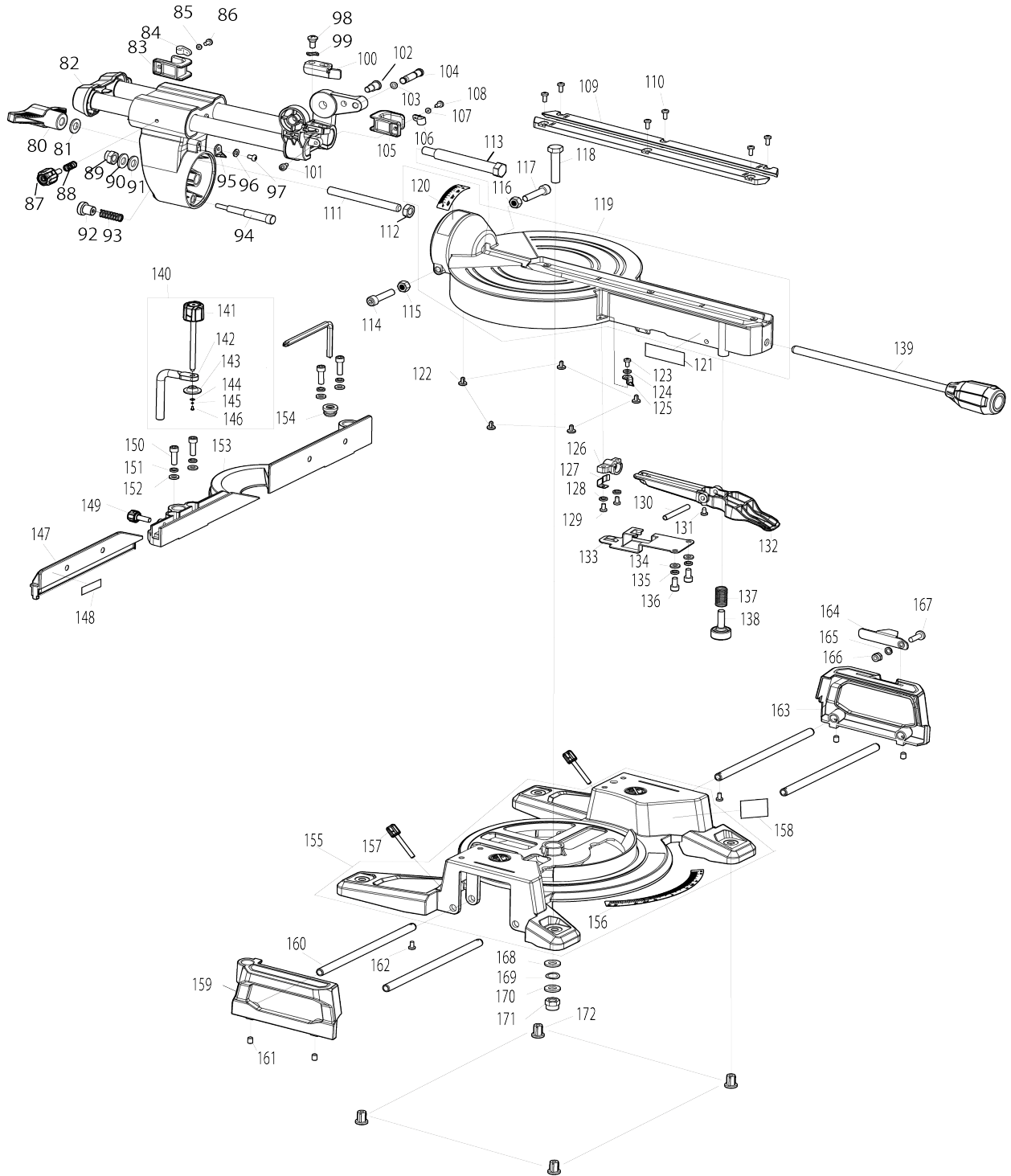


Model No.LS0816F 216MM SLIDE COMPOUND MITER SAW



Model No.LS0816F 216MM SLIDE COMPOUND MITER SAW



Model No.LS0816F 216MM SLIDE COMPOUND MITER SAW

Artike l-Nr.	Teile-Nr.	Beschreibung	Austa uschb arkeit	Anzah l	Neu/A lt	Notiz 1	Notiz 2
C10	144259-0	Spulendeckel kpl.		1			
C20	232289-4	Druckfeder 15		1			
C30	456640-6	Spulenhalter		1			
C40	456642-2	Spule		1			
001	JM00000583	HANDLE LEFT		1			
002	JM23000154	PW SUPPLY CORD H05VV-F 1-2 E U		1			
003	JM23100165	Knickschutz		1			
004	JM00000584	CORD CLAMP		1			
005	JM00000548	TAPPING SCREW ST4.2X13		2			
006	JM23100171	Lüsterklemme		1			
007	JM00000573	PW CIRCUIT FOR LED LAMP		1			
008	JM23100177	Einschaltsperr		1			
009	JM00000582	COMPRESSION SPRING		1			
010	JM00000581	LOCK OFF LINK ROCKER		1			
011	JM00000576	SWITCH		1			
012	JM00000575	SWITCH LEVER		1			
013	JM00000578	FERRITE RING		1			
014	JM23100169	Kondensator		1			
015	JM00000580	HANDLE RIGHT		1			
016	JM00000579	LAMP SWITCH		1			
017	JM00000548	TAPPING SCREW ST4.2X13		5			
018	JM00000551	PAN HEAD SCREW M5X30		3			
019	JM00000535	DUST BAG ASSY		1			
D10		INC. 20					
020	JM00000534	DUST BAG CLAMP		1			
021	JM27000317	Schraube M5x16		2			
022	JM00000542	SPINDLE GEAR ASSY		1			
023	JM00000527	UPPER BLADE GUARD COMP		1	*		
023-1	JM00000698	UPPER BLADE GUARD COMP	X	1			
024	JM23500001	Anker		1	*		
D10		INC. 25,26					
024-1	JM00000684	ARMATURE ASSY (230V)	X	1			
D10		INC. 25,26					
025	JM23500137	Rillenkugellager 6201		1			
026	JM23500111	Rillenkugellager 608		1			
027	JM00000569	SPINDLE LOCK LEVER COMPLETE		1			
028	JM23500112	Vibrationsdämpfer		1			
029	JM00000556	BUFFLE PLATE		1			
030	JM00000555	SELF TAPPING SCREW ST4.2X65		2			
031	JM23500004	Feld		1	*		
031-1	JM00000685	FIELD 230V	X	1			
032	JM00000599	MOTOR HOUSING ASSY		1			
033	JM00000558	NAME PLATE EU		1			
034	JM00000567	BRUSH CAP		2			
035	JM00000566	CARBON BRUSH 2PCS SET		1			
036	JM23100007	Scheibe 6		4			
037	JM00000551	PAN HEAD SCREW M5X30		4			

038	JM00000549	MOTOR END COVER		1		
039	JM00000548	TAPPING SCREW ST4.2X13		2		
040	JM00000518	TORSION SPRING 41		1		
041	JM00000519	SPRING BUSH		1		
042	JM00000497	PIVOT SHAFT 12X107		1		
044	JM00000537	HEX SOCKET SET SCREW M6X16		1		
045	JM00000444	KNOB BOLT M6X46		1		
046	JM00000536	KNURLED NUT M6		1		
047	JM00000538	SET SCREW M6X18		1		
048	JM23100035	Sicherungsring		1		
049	JM00000539	TAPPING SCREW ST4.2X6.5		1		
050	JM00000539	TAPPING SCREW ST4.2X6.5		1		
051	JM00000589	CAUTION LABEL		1		
052	JM00000521	DUST PORT		1		
053	JM00000520	DUST CHUTE PLATE		1		
054	JM00000532	HEX SOCKET HEAD BOLT M6X18		1		
055	JM00000531	R-PIN 6		1		
056	JM23100098	Hülse		1		
057	JM00000522	LINK PLATE COMP		1		
058	JM23100071	Scheibe 6		1		
059	JM00000525	STOP RING E-5		1		
061	JM00000540	LED LAMP BOX		1		
062	JM00000541	LED LAMP COMP		1		
063	JM00000526	LED WIRE COVER		1		
064	JM23100065	Schraube M4x8		1		
065	JM00000514	HEX SOCKET HEAD BOLT M8X20 LH		1		
066	JM23500038	Flanschscheibe		1		
067	JM27000100	Reduzierring 30		1		
068	JM23500038	Flanschscheibe		1		
069	JM00000502	LOWER BLADE GUARD ASSY		1		
D10		INC. 70-78				
070	JM00000503	PUSH NUT 5		1		
071	JM00000504	GUARD WHEEL		1		
072	JM00000506	LOWER BLADE GUARD		1		
073	JM00000505	SQUARE NECK BOLT M5X12		1		
074	JM00000507	TORSION SPRING 40		1		
075	JM00000508	GUARD FIX PLATE		1		
076	JM00000509	BOWL PLATE		1		
077	JM00000510	FLAT WASHER 5L		1		
078	JM23100141	Sicherungsmutter M5		1		
079	JM00000530	STEPPED TRASS HEAD BOLT M6X 10		1		
080	JM00000477	WING NUT M10		1		
081	JM23100010	Scheibe 10		1		
082	JM00000485	SLIDING ARM ASSY		1		
083	JM00000501	CORD REEL HOOK		1		
084	JM00000500	CORD CLIP		1		
085	JM00000499	BIG FLAT WASHER 5		1		
086	JM00000498	PAN HEAD SCREW M5X16		1		
087	JM00000478	KNOB BOLT M6X20		1		
088	JM00000479	COMPRESSION SPRING 9X18		1		

089	JM23100009	Sicherungsmutter M10		1		
090	JM23100010	Scheibe 10		1		
091	JM23100010	Scheibe 10		1		
092	JM00000480	KNOB NUT M5		1		
093	JM00000481	COMPRESSION SPRING 10X32		1		
094	JM00000483	BEVEL STEP STOPPER BOLT M5X18		1		
095	JM00000482	BEVEL SCALE POINTER		1		
096	JM23100016	Scheibe 4		1		
097	JM23100065	Schraube M4x8		1		
098	JM00000517	STEPPED PAN HEAD SCREW M6X10		1		
099	JM23100094	Wellenscheibe		1		
100	JM00000516	CUTTING DEPTH ADJUSTABLE PLATE		1		
101	JM00000495	STEPPED H.S.H.BOLT M6X10		1		
102	JM00000515	H.S.H. SPECIAL BOLT M10X10		1		
103	JM23100150	Wellendichtung		1		
104	JM00000496	LOCK PIN		1		
105	JM00000501	CORD REEL HOOK		1		
106	JM00000500	CORD CLIP		1		
107	JM00000499	BIG FLAT WASHER 5		1		
108	JM00000498	PAN HEAD SCREW M5X16		1		
109	JM00000476	KERF BOARD		2		
110	JM23100033	Schraube M4x12		6		
111	JM00000484	HEX SOCKET SCREW ROD M10X100		1		
112	JM23000015	Sicherungsmutter M10		1		
113	JM00000467	CONNECTION SHAFT BOLT M10X20		1		
114	JM00000451	HEX SOCKET HEAD BOLT M8X35		1		
115	JM23000028	Sechskantmutter M8		1		
116	JM23000028	Sechskantmutter M8		1		
117	JM00000451	HEX SOCKET HEAD BOLT M8X35		1		
118	JM00000468	HEX BOLT M10X45		1		
119	JM00000469	TURN TABLE COMPLETE		1	*	
D10		INC. 120				
119-1	JM00000681	TURN TABLE COMPLETE	<	1		
D10		INC. 120				
120	JM00000470	SUPPORT ARM SCALE LABEL		1		
121	JM23180057	Hinweisschild		1		
122	JM00000453	SLIDING FOOT		5		
123	JM23100065	Schraube M4x8		1		
124	JM23100016	Scheibe 4		1		
125	JM00000465	TURN BASE POINTER		1		
126	JM00000454	BACK SUPPORT		1		
127	JM00000455	LOCK PLATE		1		
128	JM23100015	Sprengring 4		2		
129	JM00000456	PAN HEAD SCREW M4X16		2		
130	JM00000464	PIN 6X50		1		
131	JM00000460	TAPPING SCREW ST4.2X9.5		1		
132	JM00000459	POSITION LOCK LEVER		1		
133	JM00000457	POSITION SPRING PLATE		1		

134	JM23100041	Scheibe		2		
135	JM23100151	Federscheibe 6		2		
136	JM00000458	HEX SOCKET HEAD BOLT M6X12		2	*	
136-1	JM00000604	PAN HEAD SCREW M6X12	<	2		
137	JM00000461	COMPRESSION SPRING 14.5X25		1		
138	JM00000462	FOOT BOLT M8X23		1		
139	JM00000463	GRIP BOLT M10X244		1		
140	JM00000432	VERTICAL VISE SET		1		
D10		INC. 141-146				
141	JM00000475	KNOB BOLT M10X128		1		
142	JM00000474	VISE ARM		1		
143	JM00000473	PRESSURE PLATE		1		
144	JM00000472	FLAT WASHER 4 XL		1		
145	JM23100015	Sprengring 4		1		
146	JM23100033	Schraube M4x12		1		
147	JM00000448	SUB FRNCE		1		
148	JM23580063	Hinweisschild		1		
149	JM00000449	KNOB BOLT M6X18		1		
150	JM00000450	HEX SOCKET HEAD BOLT M8X20		4		
151	JM23100061	Federring 8		4		
152	JM23100060	Scheibe 8		4		
153	JM00000447	RIP FENCE		1		
154	JM00000446	WRENCH HOLDER SLEEVE		1		
155	JM00000438	BASE COMP		1	*	
D10		INC. 156				
155-1	JM00000680	BASE COMP	<	1		
D10		INC. 156				
156	JM00000439	MITER SCALE LABEL		1		
157	JM00000444	KNOB BOLT M6X46		2		
158	JM23180056	Hinweisschild		1		
159	JM00000433	LEFT EXTENSION TABLE		1		
160	JM00000434	EXTENSION PIPE 10X210		4		
161	JM23100087	Sicherungsschraube M6x8		4		
162	JM00000435	PAN HEAD SCREW M4X8		2		
163	JM00000442	RIGHT EXTENSION TABLE		1		
164	JM00000443	SET PLATE		1		
165	JM23100041	Scheibe		1		
166	JM00000441	HEX. LOCK NUT M6		1		
167	JM00000074	Kombi-Schraube M6x20		1		
168	JM23100010	Scheibe 10		1		
169	JM00000437	WAVE WASHER 10		1		
170	JM23100010	Scheibe 10		1		
171	JM23100009	Sicherungsmutter M10		1		
172	JM00000436	RUBBER FOOT		4		
A01	D-77344	TCT SAW BLADE FOR MITER SAW		1		
A02	JM00000445	UNI.HEX KEY WRENCH 6MM & P H2		1		

Bitte geben Sie bei Ihrer Bestellung die Teile-Nr. an.

Druckdatum 08/29/2024